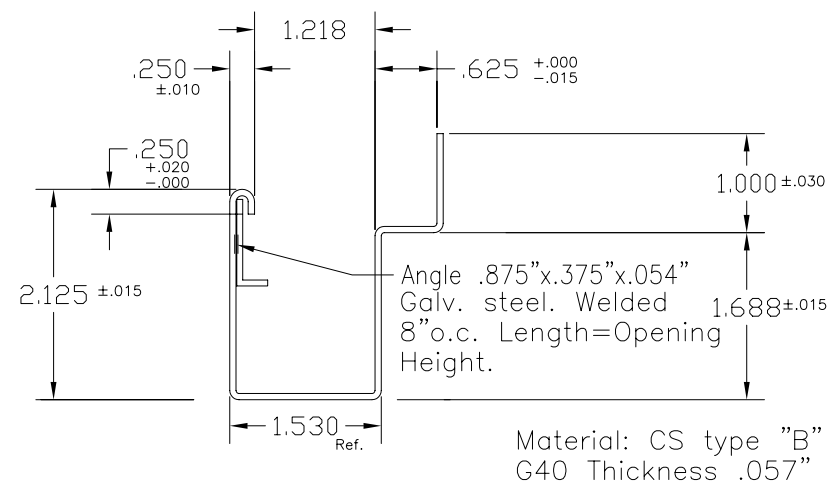


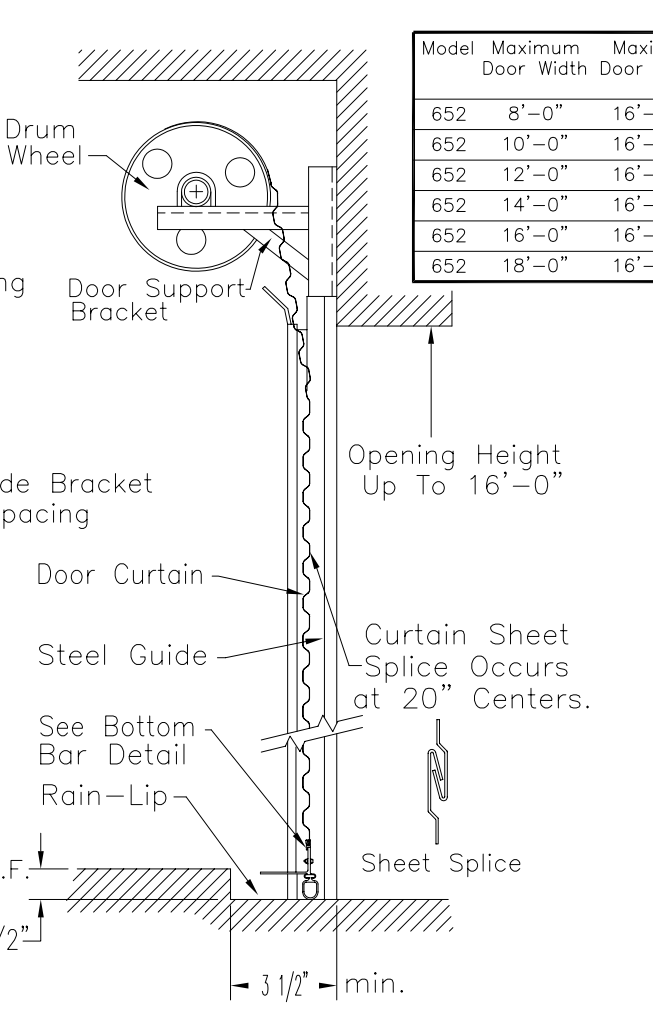
**INTERIOR ELEVATION**

Guide Fastener Spacing & Track Bracket Spacing Similar for Both Guides.  
Scale: None



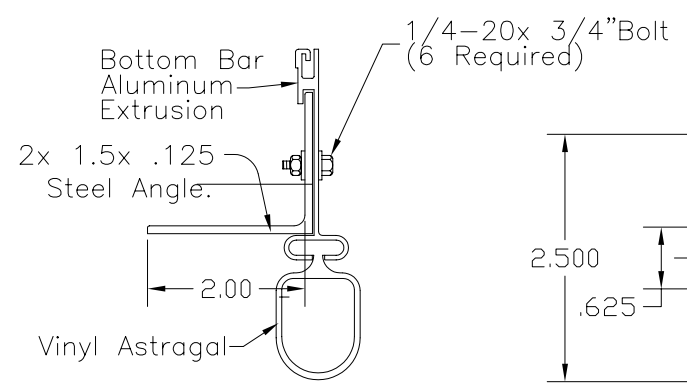
**DOOR GUIDE**

Material: CS type "B" G40 Thickness .057"

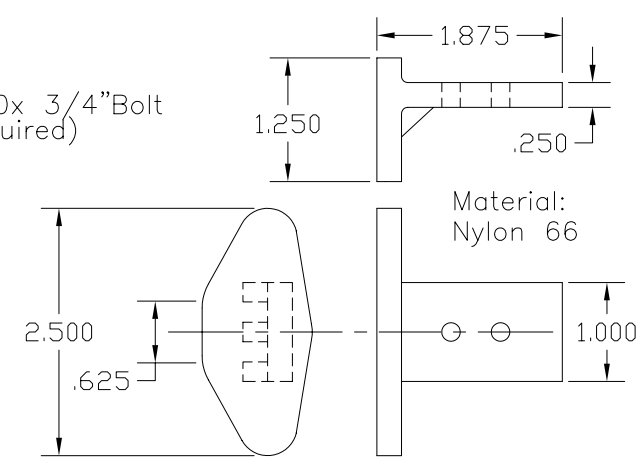


**SECTION @ DOOR**

Door Curtain: .017±.001 Hot Dip Galvanized Steel ASTM A-653 Structural Steel (Grade 80) With Full Coat Of Primer And Baked Polyester Finish Coat.



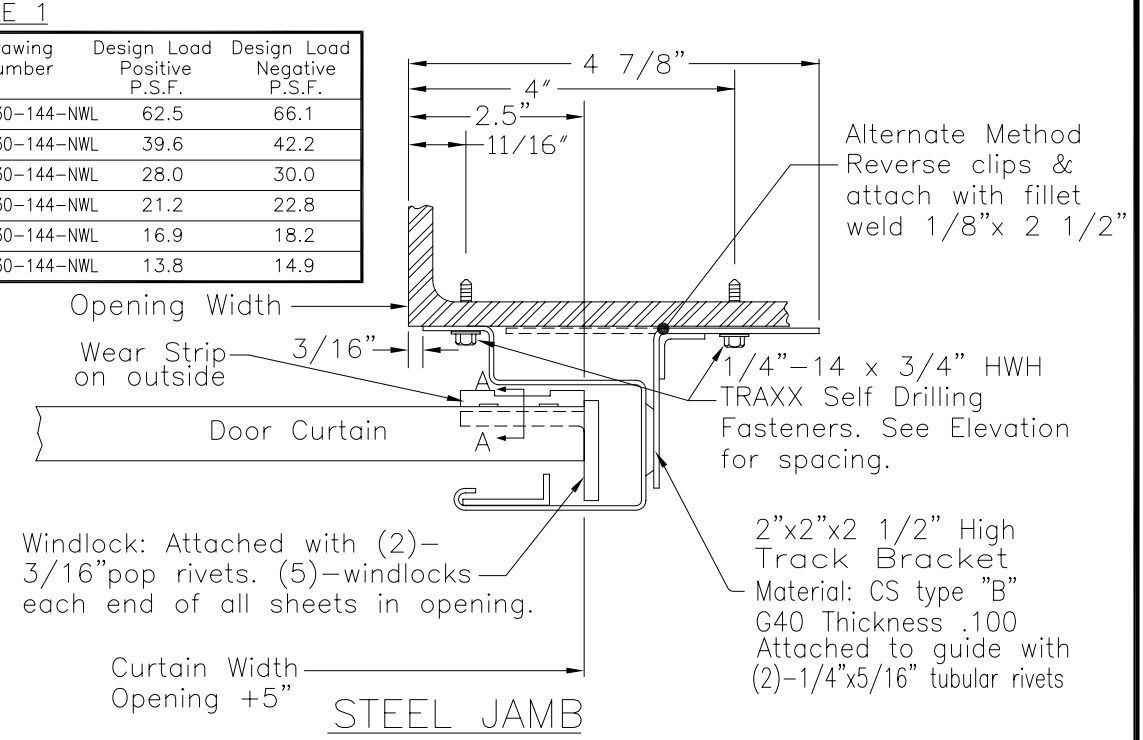
**BOTTOM BAR**



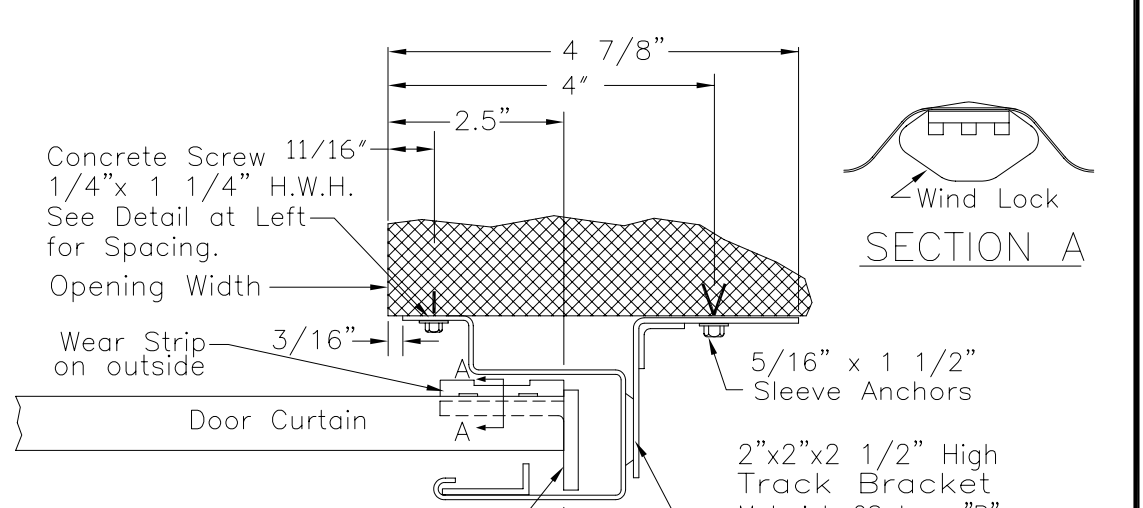
**WIND LOCK P/N U220011**

**TABLE 1**

Model	Maximum Door Width	Maximum Door Height	Drawing Number	Design Load Positive P.S.F.	Design Load Negative P.S.F.
652	8'-0"	16'-0"	652-30-144-NWL	62.5	66.1
652	10'-0"	16'-0"	652-30-144-NWL	39.6	42.2
652	12'-0"	16'-0"	652-30-144-NWL	28.0	30.0
652	14'-0"	16'-0"	652-30-144-NWL	21.2	22.8
652	16'-0"	16'-0"	652-30-144-NWL	16.9	18.2
652	18'-0"	16'-0"	652-30-144-NWL	13.8	14.9



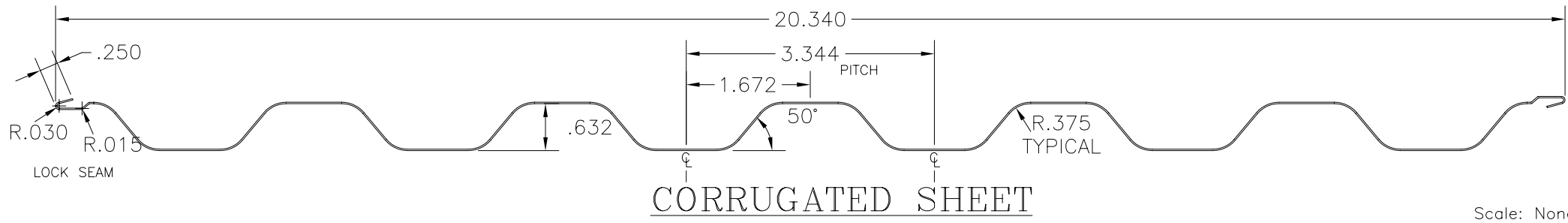
**STEEL JAMB**



**MASONRY JAMB**

Refer to test report Number USD-04-2 Dated 01/05/05

Doors designed for 28 #/ft<sup>2</sup> POS. & 30#/ft<sup>2</sup> NEG. PSF wind load Maximum door size 12'-0" wide x 16'-0" high



**CORRUGATED SHEET**

**MODEL 652-30** Nylon Wind Locks

**Trackomatic Inc.**

DATE: 10/01/04 SHEET: 1  
DRAWN BY: C.D.W.  
CHECKED BY:  
DRAWING NUMBER  
652-30-144-NWL

Revised Jan. 5, 2005